

## PARKING AND PASSENGER LOADING ZONES (Cont')

### Minimum Number of Accessible Spaces (4.1.1.5)

Total Parking in Lot	Required minimum number of Accessible Spaces
1 to 25	1
26 to 50	2
51 to 75	3
76 to 100	4
101 to 150	5
151 to 200	6
201 to 300	7
301 to 400	8
401 to 500	9
501 to 1,000	2% of total
1,001 and over	20 plus 1 for each 100 over 1,000

EXCEPTION: Total number of accessible parking spaces may be distributed among parking lots if greater accessibility is achieved.

NOTE: 1 in every 8, but not less than 1 accessible space, shall be served with an 8 ft. wide access aisle and signed "Van Accessible".

## RAMPS & STAIRS

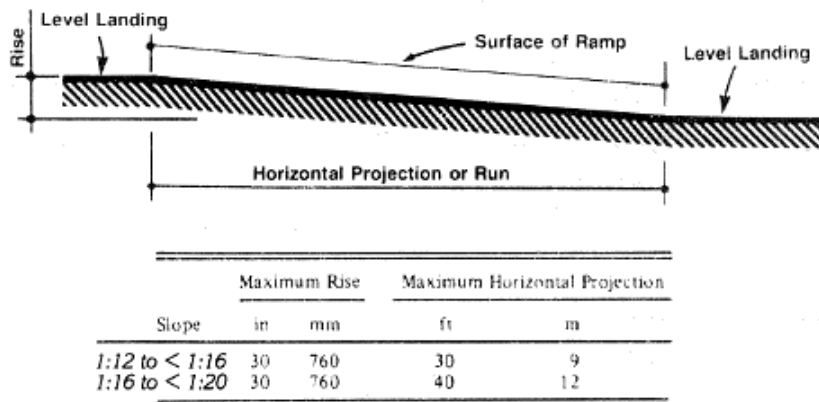


Figure 16 (4.8.2)  
 Components of a Single Ramp Run and Sample Ramp Dimensions

**RAMPS & STAIRS (Con'td)**

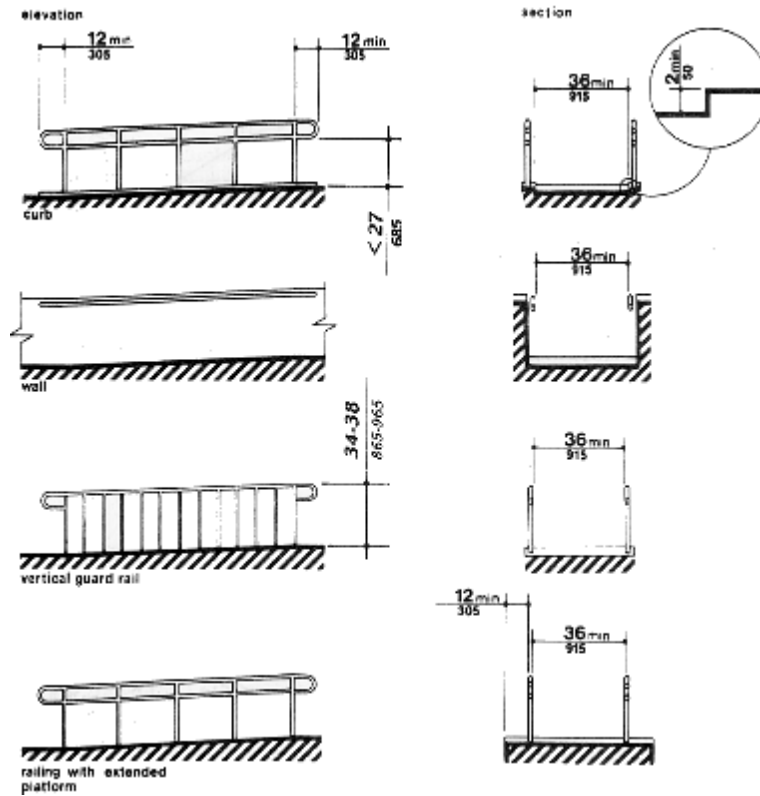


Figure 17 (4.8.5)  
**Examples of Edge Protection and Handrail Extensions**

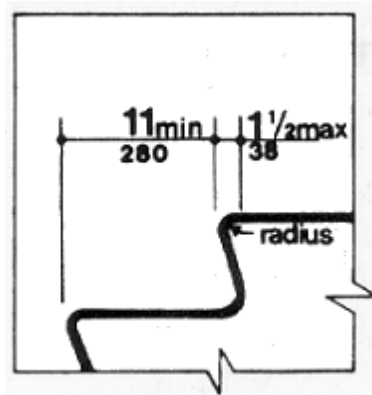


Figure 18a (4.9.2)  
**Usable Tread Width and Examples of Acceptable Nosings - Flush Riser**

### RAMPS & STAIRS (Con'td)

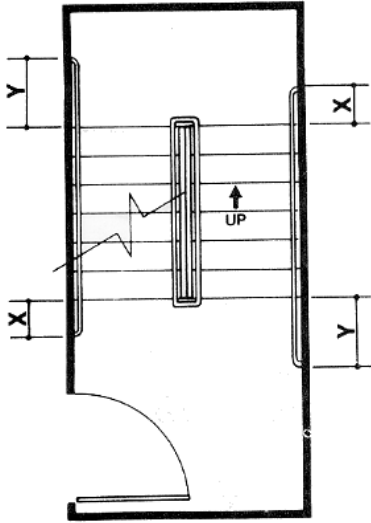


Figure 19a (4.9.4)  
**Stair Handrails - Plan**

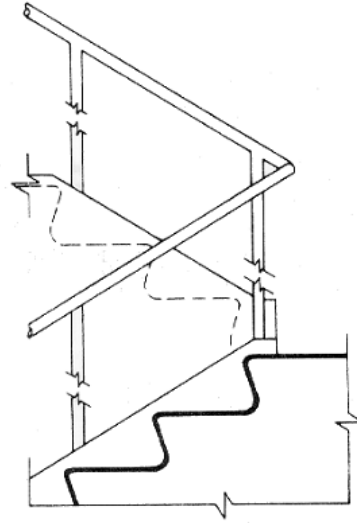


Figure 19b (4.9.4)  
**Stair Handrails - Elevation of Center Handrail**

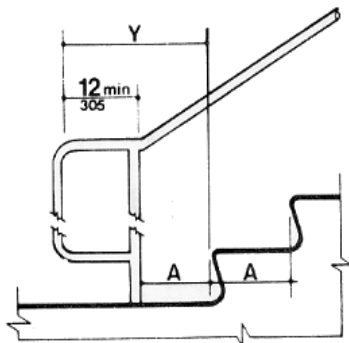


Figure 19c (4.9.4)  
**Stair Handrails - Extension at Bottom of Run**

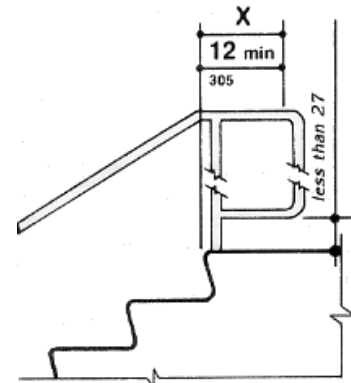


Figure 19d (4.9.4)  
**Stair Handrails - Extension at Top of Run**

**NOTE:**

X is the 12 in minimum handrail extension required at each top riser.

Y is the minimum handrail extension of 12 in plus the width of one tread that is required at each bottom riser.