

4.2 SPACE ALLOWANCES AND REACH RANGES

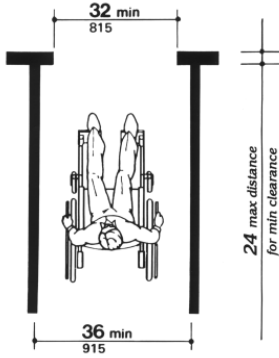


Figure 1 (4.2.1)
**Minimum Clear Width
 for Single Wheelchair**

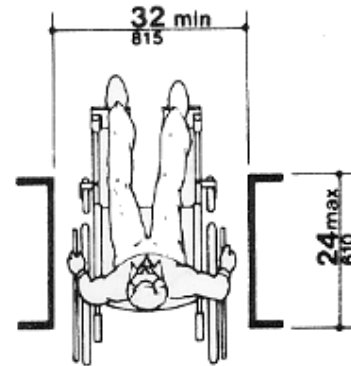


Figure 1a (also 24e) (4.2.1)
**Clear Doorway Width and
 Depth Maximum Doorway Depth**

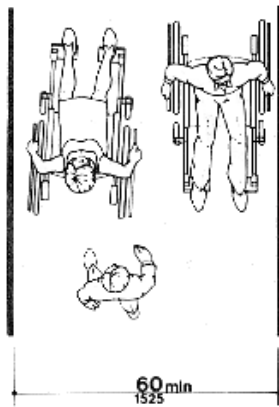


Figure 2 (4.2.2)
**Minimum Clear Width
 for Two Wheelchairs**

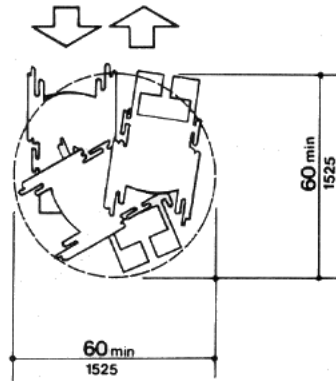


Figure 3a (4.2.3)
**Wheelchair Turning Space
 60-in (1525 mm) Diameter Space**

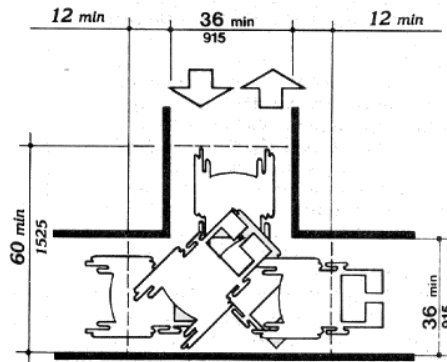


Figure 3b (4.2.3)
**Wheelchair Turning Space
 T-Shaped Space for 180 Degree Turns**

4.2 SPACE ALLOWANCES AND REACH RANGES (Cont'd)

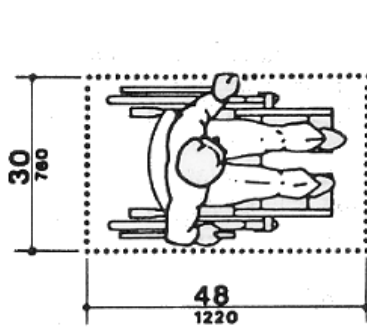


Figure 4a (4.2.4.1)
Clear Floor Space

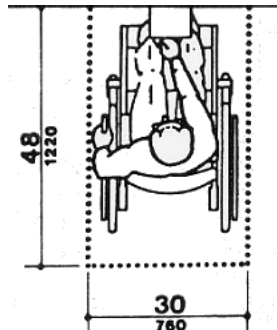


Figure 4b (4.2.4.1)
Forward Approach

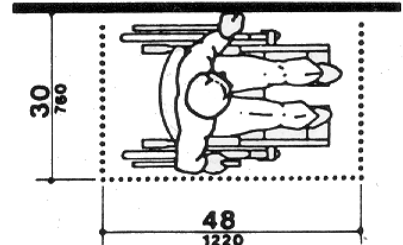


Figure 4c (4.2.4.1)
Parallel Approach

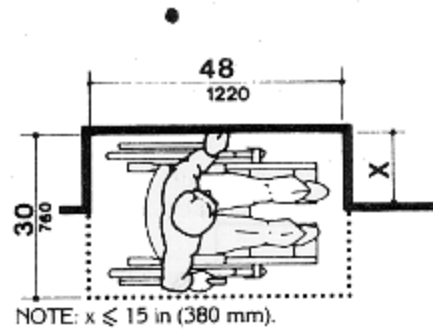
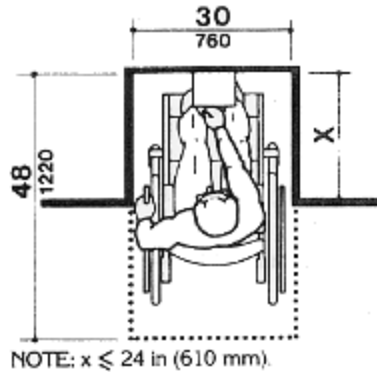


Figure 4d (4.2.4.2)
Clear Floor Space in Alcoves

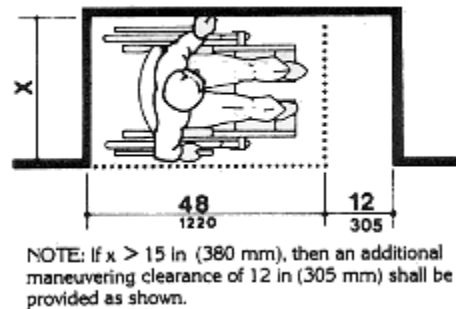
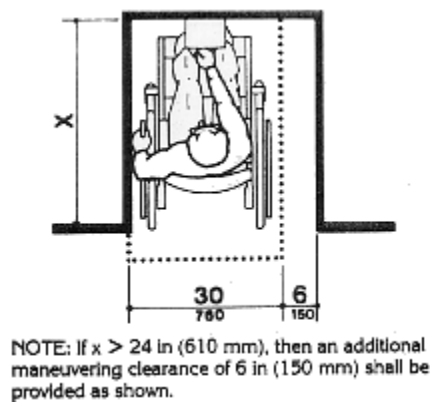


Figure 4e (4.2.4.2)
Additional Maneuvering Clearance for Alcoves

4.2 SPACE ALLOWANCES AND REACH RANGES (Cont'd)

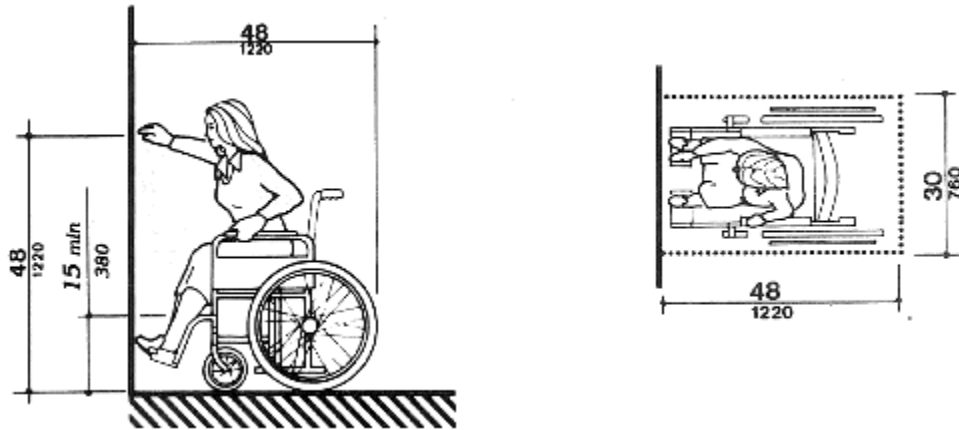
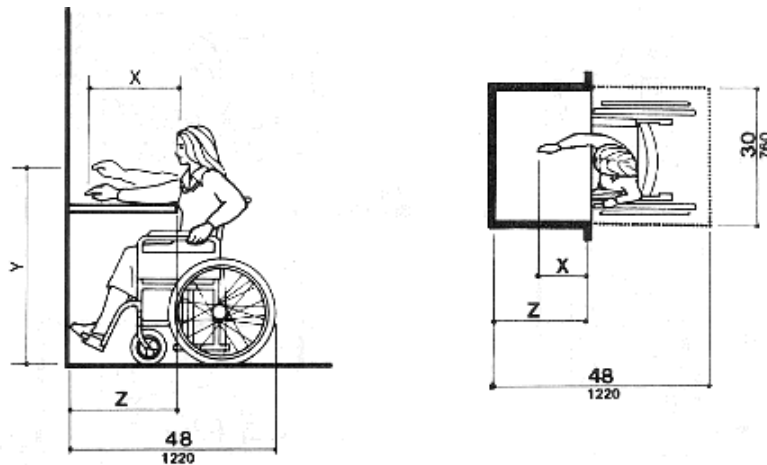


Figure 5a (4.2.5)
High Forward Reach Limit



NOTE: x shall be \leq 25 in (635 mm); z shall be \geq x. When x < 20 in (510 mm), then y shall be 48 in (1220 mm) maximum. When x is 20 to 25 in (510 to 635 mm), then y shall be 44 in (1120 mm) maximum.

Figure 5b (4.2.5)
Maximum Forward Reach over an Obstruction

4.2 SPACE ALLOWANCES AND REACH RANGES (Cont'd)

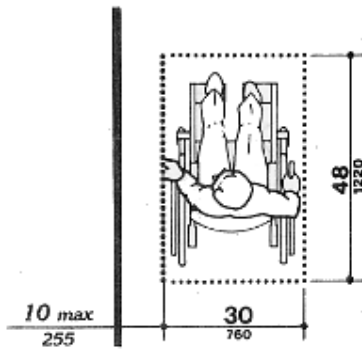


Figure 6(a) (4.2.6)
**Clear Floor Space
 Parallel Approach**

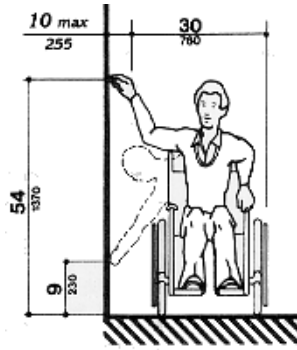


Figure 6(b) (4.2.6)
**High and Low
 Side Reach Limits**

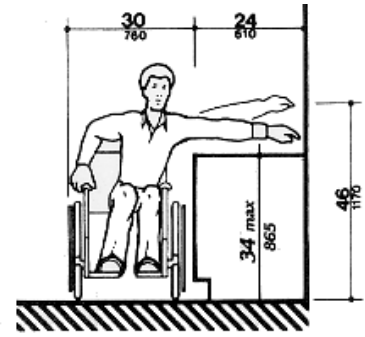


Figure 6(c) (4.2.6)
**Maximum Side Reach
 over Obstruction**

4.3 ACCESSIBLE ROUTES

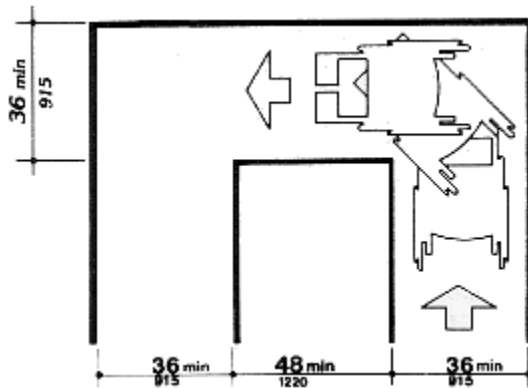
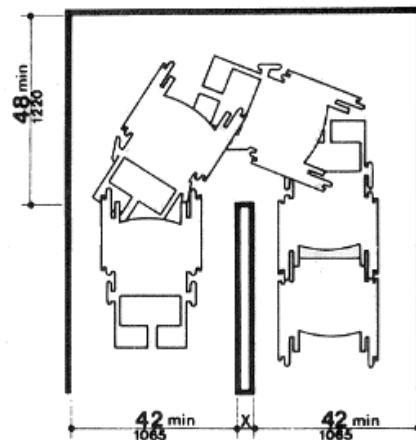


Figure 7(a) (4.3.3)
**Accessible Route
 90 Degree Turn**



NOTE: Dimensions shown apply when x < 48 in (1220 mm).

Figure 7(b) (4.3.3)
**Accessible Route
 Turns around an Obstruction**