

**ELEVATOR**

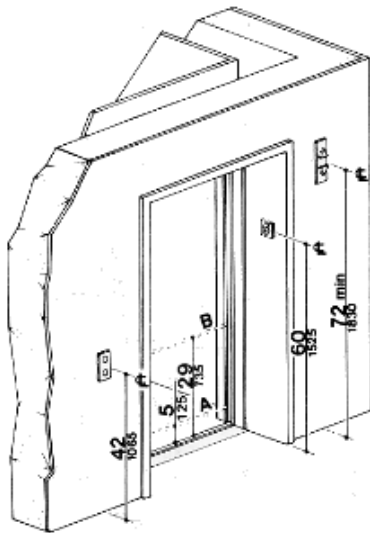
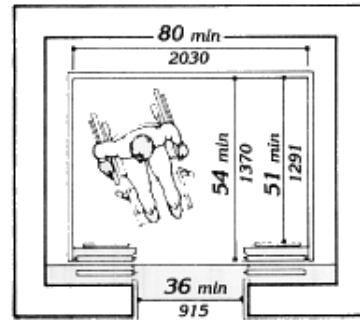
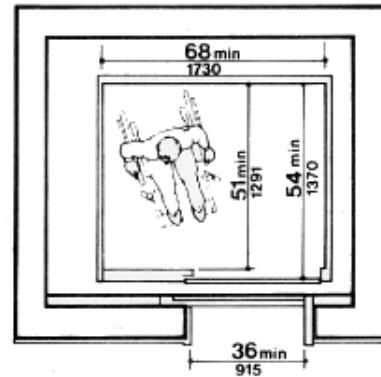


Figure 20 (4.10.3)

**Hoistway and Elevator Entrances-Minimum**



(a)



(b)

Figure 22 (4.10.9)

**Dimensions of Elevator Cars**

**NOTE:**

The automatic door reopening device is activated if an object passes through either line A or line B. Line A and line B represent the vertical locations of the door reopening device not requiring contact.

Diagram (a) illustrates an elevator with a door providing a 36 inch (915 mm) minimum clear width, in the middle of the elevator. The width of the elevator car is a minimum of 80 inches (2030 mm). The depth of the elevator car measured from the back wall to the elevator door is a minimum of 54 inches (1370 mm). The depth of the elevator car measured from the back wall to the control panel is a minimum of 51 inches (1291 mm).

Diagram (b) illustrates an elevator with door providing a minimum 36 inch (915 mm) clear width, located to one side of the elevator. The width of the elevator car is a minimum of 68 inches (1730 mm). The depth of the elevator car measured from the back wall to the elevator door is a minimum of 54 inches (1370 mm). The depth of the elevator car measured from the back wall to the control panel is a minimum of 51 inches (1291 mm).

**ELEVATOR (Cont'd)**

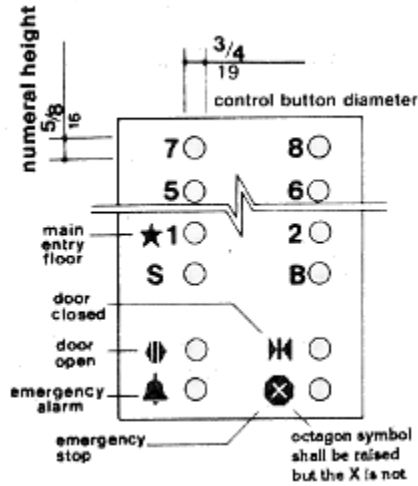


Figure 23a (4.10.12)  
**Car Controls  
 Panel Detail**

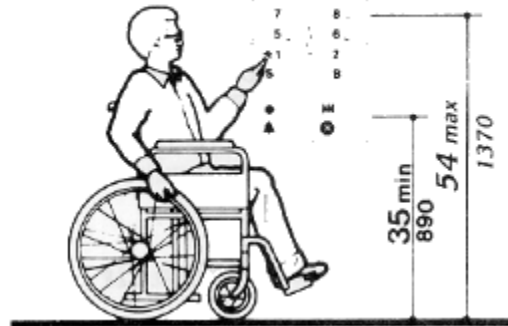


Figure 23b (4.10.12)  
**Car Controls  
 Car Control Height**

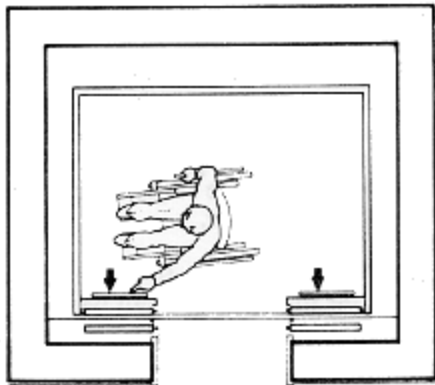


Figure 23c (4.10.12)  
**Car Controls  
 Alternate Locations of Panel  
 with Center Opening**

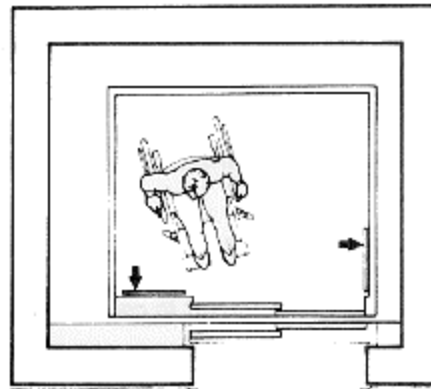


Figure 23d (4.10.12)  
**Car Controls  
 Alternate Locations of Panel  
 with Side Opening Door**