

**DRINKING FOUNTAINS & WATER COOLERS**

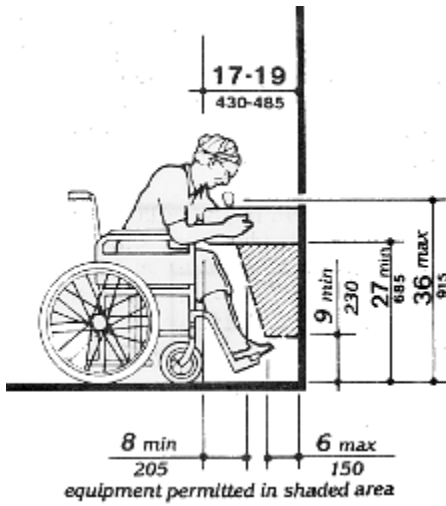


Figure 27a (4.15.2)  
**Drinking Fountains and Water Coolers  
 Spout Height and Knee Clearance**

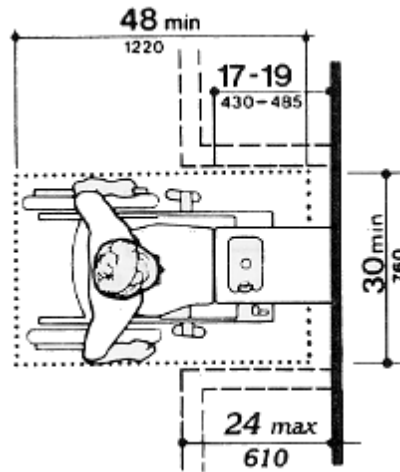


Figure 27b (4.15.5)  
**Drinking Fountains and Water  
 Coolers - Clear Floor Space**

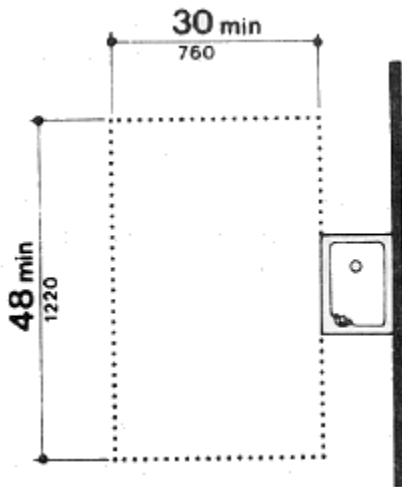


Figure 27c (4.15.5)  
**Drinking Fountains and Water Coolers  
 Free-Standing Fountain or Cooler**

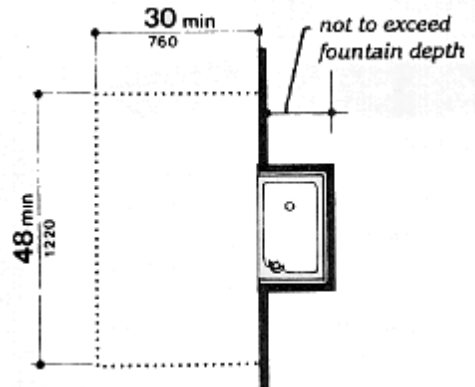


Figure 27d (4.15.5)  
**Drinking Fountains and Water Coolers  
 Built-In Fountain or Cooler**