

**4.2 SPACE ALLOWANCES AND REACH RANGES (Cont'd)**

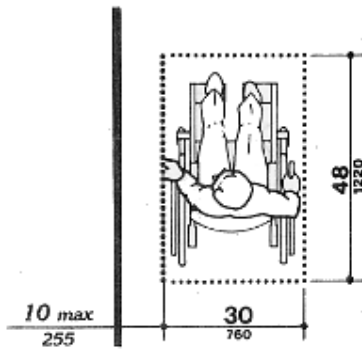


Figure 6(a) (4.2.6)  
**Clear Floor Space  
 Parallel Approach**

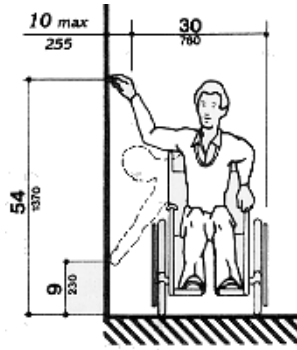


Figure 6(b) (4.2.6)  
**High and Low  
 Side Reach Limits**

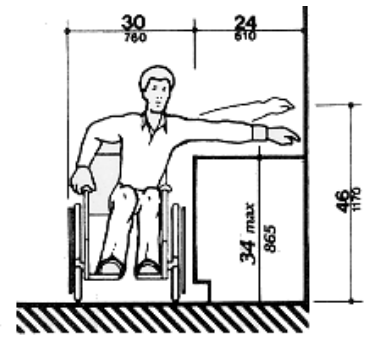


Figure 6(c) (4.2.6)  
**Maximum Side Reach  
 over Obstruction**

**4.3 ACCESSIBLE ROUTES**

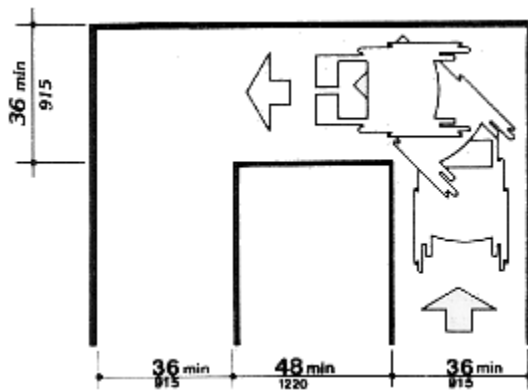
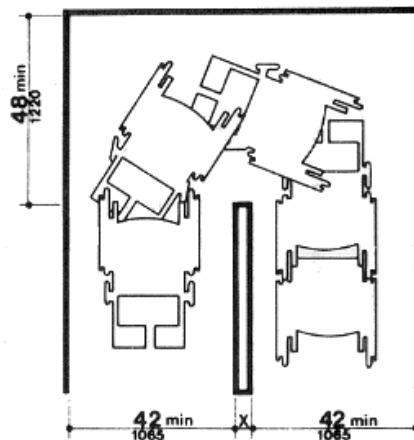


Figure 7(a) (4.3.3)  
**Accessible Route  
 90 Degree Turn**



NOTE: Dimensions shown apply when x < 48 in (1220 mm).

Figure 7(b) (4.3.3)  
**Accessible Route  
 Turns around an Obstruction**