

VON DUPRIN. 6111, 6112, 6113 Electric Strikes

6111
Electric strike for use with rim exit devices on single doors or double doors with mullion applications (hollow metal, aluminum or wood). Designed to replace Von Duprin 3031. Specify if using with 55 rim devices.

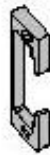
6112
Electric strike for use with rim exit devices on single door applications (hollow metal, aluminum or wood). Designed to replace Folger Adam 310-4, minor frame prep modification required.

6113
Electric strike for use with rim exit devices on single door applications (hollow metal, aluminum or wood), $\frac{1}{2}$ " (13mm) stop or greater. Designed to replace Von Duprin 3011 and 3021. Specify if using with 55 rim devices.

- FEATURES**
- Stainless Steel Construction
 - Accepts $\frac{1}{2}$ " (13mm) Throw Latchbolt
 - Six Finishes
 - Non-handed
 - Fail Secure
 - Horizontally Adjustable
 - Plug Connectors

- OPTIONS**
- RS (Fail Safe)
 - DS or DS-LC (Dual Monitor Switches)
 - EB (Entry Buzzer)

6111/6113 ELECTRIC STRIKE
BLADE STOP SHIM D10055-XX



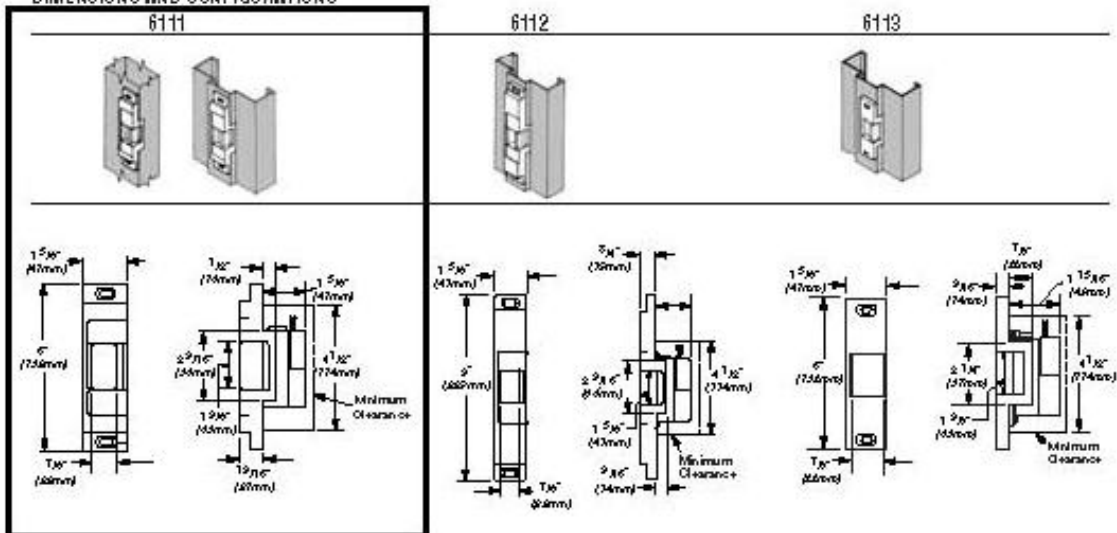
Use on cased opening or blade stop frame. $\frac{1}{2}$ " (13mm) aluminum, not for fire door application.



SPECIFICATIONS	12V	24V
Resistance in Ohms $\pm 10\%$ @ 70°F	21	82
Watt-seated @ 70°F	7.5	8
Amps-seated @ 70°F	.6	.33
Amps-inrush @ 70°F	.6	.33

UL listed Burglary Resistant CVDXY and Electric Strike for fire doors or frames CXYAY (fail secure only). ANSI ES89 11 Listing applies to Von Duprin rim devices.

DIMENSIONS AND CONFIGURATIONS



VON DUPRIN ELECTRIC STRIKE

APPENDIX B

HARDWARE ILLUSTRATION # 005