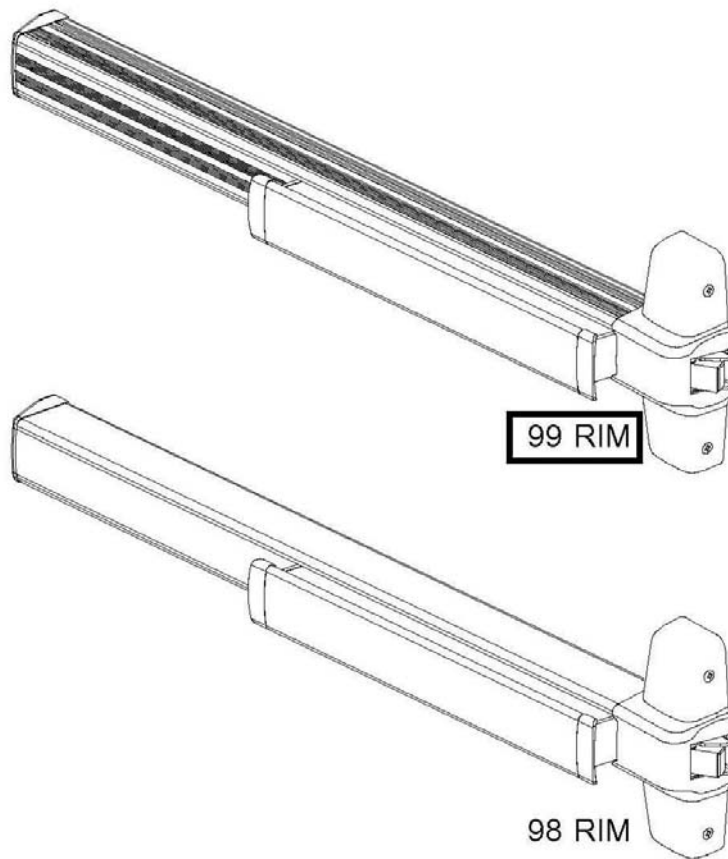


# VON DUPRIN®

## PARTS MANUAL

JUNE 2005

### 98/99 SERIES RIM EXIT DEVICES



#### VON DUPRIN PANIC DEVICE 99EO; 99NL-OP

APPENDIX B

HARDWARE ILLUSTRATION # 004